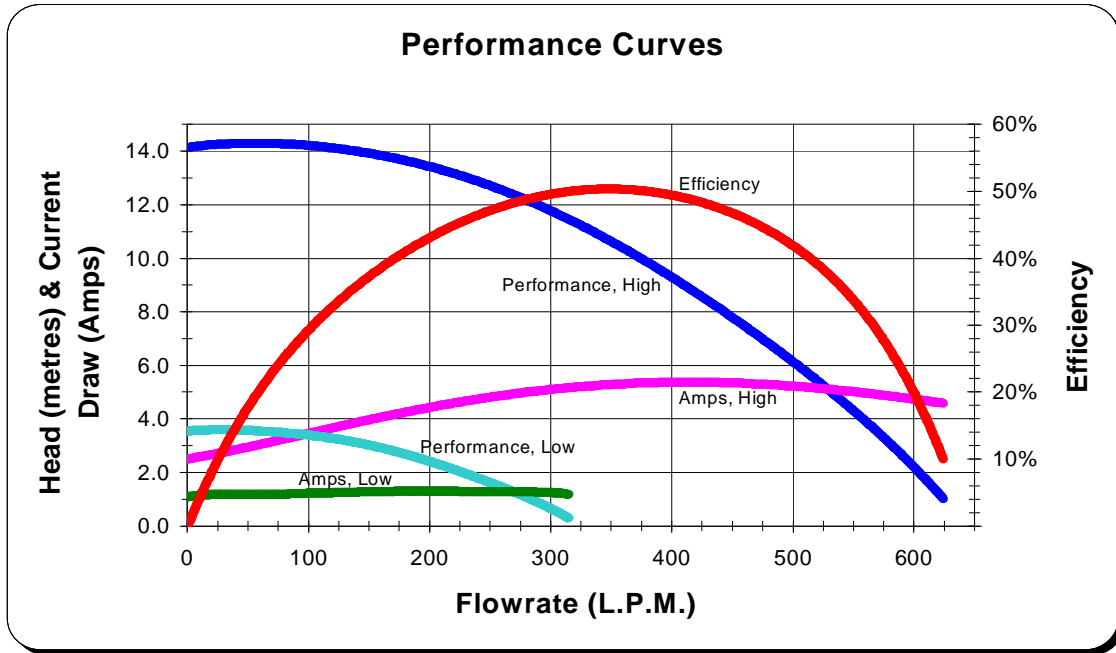




Product Specification Sheet Model XP2801524

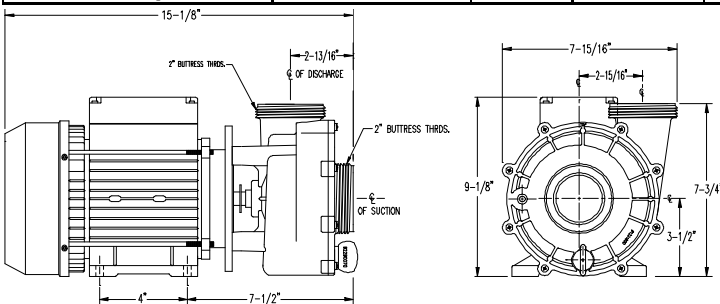
The XP2 pump for portable spas provides improved overall performance and enhanced energy efficiency. Uniquely designed for today's large many-jetted spas requiring increased flow, the XP2 also offers whisper quiet performance through the design of the high volumetric volute.



These performance curves are a result of in-lab testing, actual performance may vary based on manufacturing tolerances and application.

Performance Table						
Metres	Open	4	8	10	12	14
LPM	624	560	440	376	288	144
BEP	340 LPM					

Motor Data							
Manufacturer:	EMG	AF Part Number:	93555380	Model:	N/A		
HP:	1.5	FLA:	6.5/1.5	Volts:	220-240	RPM:	2840-1440
Freq:	50	Phase:	1	Frame:	80	Speed:	2



AQUA-FLO, LLC
 PUMPS FOR THE LEISURE WATER INDUSTRY™
 5651 Schaefer Ave., Chino, CA USA 91710 TEL: (909) 591-7453 FAX: (909) 627-5660 www.aqua-flo.com
 Call for Pricing