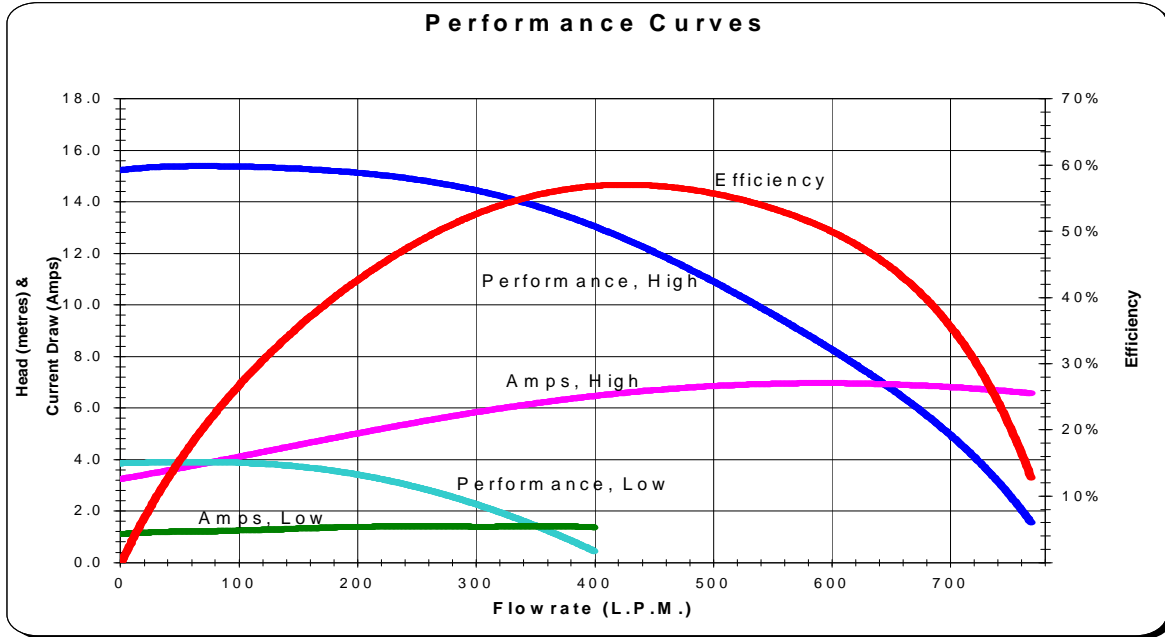




Product Specification Sheet Model XP2902024

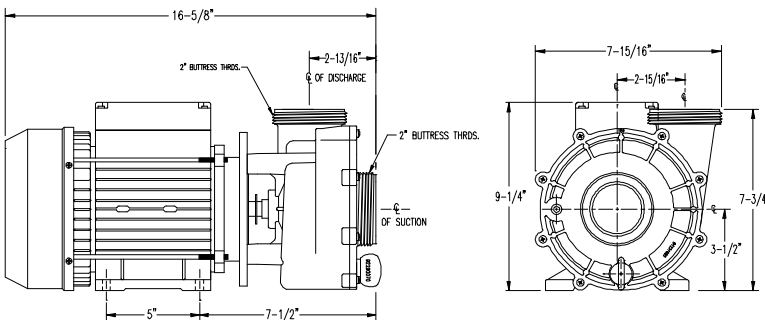
The XP2 pump for portable spas provides improved overall performance and enhanced energy efficiency. Uniquely designed for today's many-jetted spas requiring increased flow, the XP2 also offers whisper quiet performance through the design of the high volumetric volute.



These performance curves are a result of in-lab testing, actual performance may vary based on manufacturing tolerances and application.

Performance Table						
Metres	Open	3	6	9	12	15
LPM	768	741	672	573	455	232
BEP	416 LPM					

Motor Data							
Manufacturer:	EMG	AF Part Number:	93556490		Model:	N/A	
HP:	2.0	FLA:	8.3/1.5	Volts:	220-240	RPM:	2850/1450
Freq:	50	Phase:	1	Frame:	80	Speed:	2



AQUA-FLO, LLC
 PUMPS FOR THE LEISURE WATER INDUSTRY™
 5651 Schaefer Ave., Chino, CA USA 91710 TEL: (909) 591-7453 FAX: (909) 627-5660 www.aqua-flo.com
 Call for Pricing