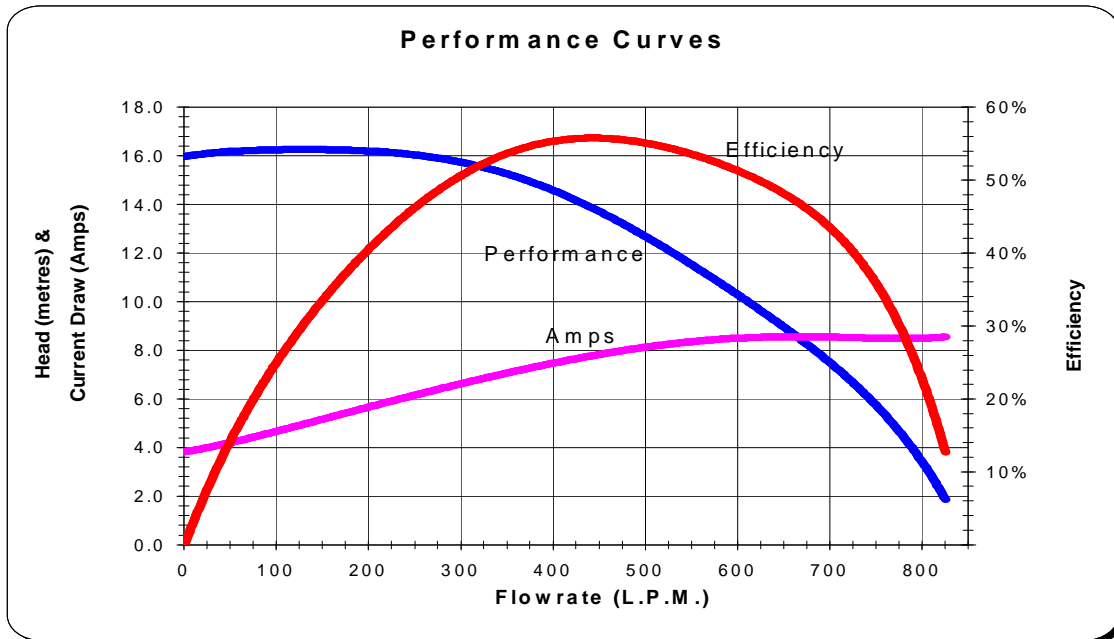




Product Specification Sheet

Model XP2902514

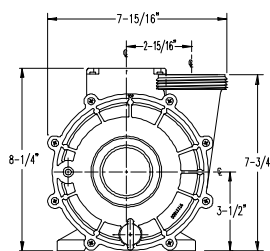
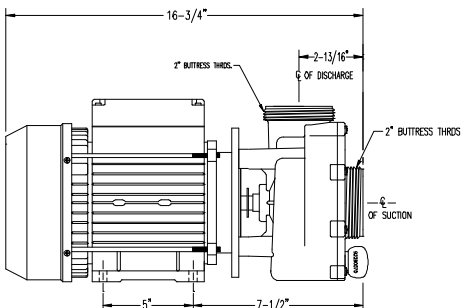
The XP2 pump for portable spas provides improved overall performance and enhanced energy efficiency. Uniquely designed for today's large many-jetted spas requiring increased flow, the XP2 also offers whisper quiet performance through the design of the high volumetric volute.



These performance curves are a result of in-lab testing, actual performance may vary based on manufacturing tolerances and application.

| Performance Table | | | | | | |
|-------------------|----------------|-----|-----|-----|-----|-----|
| Metres | Open | 3 | 6 | 9 | 12 | 15 |
| LPM | 825 | 808 | 742 | 647 | 534 | 364 |
| BEP | 454 LPM | | | | | |

| Motor Data | | | | | | | |
|----------------------|-----|------------------------|----------|---------------|---------|---------------|------|
| Manufacturer: | EMG | AF Part Number: | 93556590 | Model: | N/A | | |
| HP: | 2.5 | FLA: | 9.5 | Volts: | 220-240 | RPM: | 2800 |
| Freq: | 50 | Phase: | 1 | Frame: | 90 | Speed: | 1 |



AQUA-FLO, LLC
 PUMPS FOR THE LEISURE WATER INDUSTRY™
 5651 Schaefer Ave., Chino, CA USA 91710 TEL: (909) 591-7453 FAX: (909) 627-5660 www.aqua-flo.com
 Call for Pricing